



DMX USB PRO – Datasheet

The industry standard in DMX USB control.



The DMX USB PRO connects to a computer using a robust USB Type-B 2.0 connector and allows compatible software to either input or output DMX / RDM on MacOS, Windows or Linux computers.

The DMX USB PRO has industry standard XLR5 connectors and 1500V full isolation on both data and power lines to protect your computer from any stray voltages on the DMX line. Furthermore, it features an internal frame buffer for consistent DMX generation when outputting, meaning timing isn't dependent on your PC's processor.

The DMX USB PRO is supported by a broad array of third-party software and allows users to integrate it into their own software projects using the DMX USB PRO's developer API.

Use ENTTEC's free EMU software to test, update and configure your DMX USB PRO. You can change the firmware to your exact requirements (RDM or Non-RDM).

Features

- Full 512 DMX channel (1 universe) of input or output.
- Fully compliant with USITT DMX512-A.
- Output refresh rate configurable from 1 to 40 FPS (Frames Per Second).
- Configurable MAB and Break time using ENTTEC's EMU Software to accommodate non-standard equipment.
- Supported on Windows, MacOS & Linux.
- 1500V full isolation (data & power lines to protect your computer from surges).
- RDM enabled (ANSI E1.20 compliant).
- Drivers for Windows, MacOS and Linux (drivers released and maintained by FTDI).
- Compatible with various open-source and professional lighting control programs.
- Developer API available to integrate into your own software.

Specification

Connectors	1* DMX Output (Female XLR5)
	1* DMX Input (Male XLR5)
	1* USB 2.0 Type-B
IP rating	IP20
LED indicators	Yes
Supported protocols	USITT DMX512-A
	ANSI E1.20 RDM ¹
Standalone playback	No
MIDI	No
Maximum output channels	1 universe (512ch) ¹
Max. output refresh rate	40FPS ¹
Configuration software	EMU
Firmware updates	EMU
Input voltage	5V DC (via USB)
Input current	300mA
Power draw	1.5W
Environmental Operating temperature	0° -50°C
	32° -122°F
Environmental Operating humidity	5- 95% (non-condensing)
Body material	ABS plastic
Mounting options	N/A
Unit weight	80 g / 0.18lbs
Shipping dimensions	237x165x71 mm
Shipping weight	0.30kg / 0.66lbs
Warranty	3-year return to base manufacturer warranty

Certification



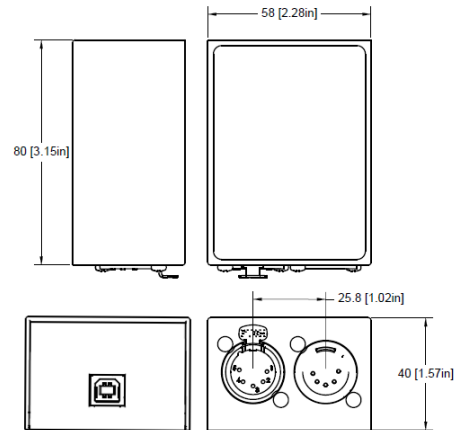
Box contents

- DMX USB PRO
- USB Type A -> USB 2.0 Type B cable
- Read Me Card with EMU Promo Code (3 months)²

¹ If supported by your 3rd party software.

² Read Me Card with Promo Code is implemented after SN2365779. (August 2022)

Physical Dimension

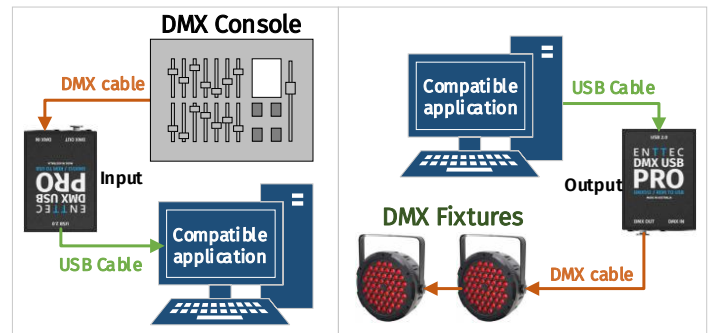


DMX Connector Pin Out

- Pin 1: 0V
- Pin 2: Data -
- Pin 3: Data +
- Pin 4: NC
- Pin 5: NC

Any suitable 3 to 5pin DMX adaptor can be used to connect to 3pin DMX cables or fixture. Please note the pinout, before connecting to any non-standard DMX connector.

Application diagram



Safety

- Do not expose the device to rain or moisture. This unit is intended for indoor use only.
- Do not remove the cover, there are no user serviceable parts inside.
- Never connect DMX GND to an electrical 'earth' connection.
- For additional flexibility and increased protection ENTTEC recommends the use of a DMX splitter.

Ordering information

For further support and to browse ENTTEC's range of products visit the [ENTTEC website](https://www.enttec.com).

Item	SKU
DMX USB PRO RevB	70304

enttec.com

MELBOURNE AUS / LONDON UK / RALEIGH-DURHAM USA

Due to constant innovation, information within this document is subject to change.